



(12) **United States Design Patent**
Goldberg et al.

(10) **Patent No.:** **US D879,515 S**
(45) **Date of Patent:** **** Mar. 31, 2020**

- (54) **DESK**
- (71) Applicant: **Playground Store Limited**, Tsim Sha Tsui East (HK)
- (72) Inventors: **Daniel Goldberg**, Lido Beach, NY (US); **Jedediah J. McCann**, Seattle, WA (US)
- (73) Assignee: **Playground Store Limited**, Tsim Sha Tsui East (HK)
- (**) Term: **15 Years**
- (21) Appl. No.: **29/665,661**
- (22) Filed: **Oct. 5, 2018**

D410,806 S *	6/1999	Olson	D6/656.16
D675,041 S *	1/2013	Mecherle	D6/691
9,038,549 B1 *	5/2015	Zebarjad	A47B 9/02
				108/147
D776,961 S *	1/2017	Yamamoto	D6/656.16
9,814,307 B1 *	11/2017	Hall	B25H 1/14
D819,371 S *	6/2018	Cao	D6/656.16
9,993,068 B2 *	6/2018	Lin	A47B 9/00
D846,917 S *	4/2019	Hu	D6/656.17
D862,129 S *	10/2019	Hu	D6/656.17
2017/0251806 A1 *	9/2017	Newman	A47B 21/02

* cited by examiner

Primary Examiner — Mary Ann Calabrese
Assistant Examiner — Catherine Ho
(74) *Attorney, Agent, or Firm* — Michael Crilly, Esquire

Related U.S. Application Data

- (63) Continuation-in-part of application No. 29/644,198, filed on Apr. 16, 2018, and a continuation-in-part of application No. 29/644,168, filed on Apr. 16, 2018.

- (51) **LOC (12) Cl.** **06-03**
- (52) **U.S. Cl.** **D6/656.16**

- (58) **Field of Classification Search**
 - USPC D6/353, 368, 642, 644, 649, 651, 655, D6/655.1, 655.11, 655.12, 655.13, 655.14, D6/655.15, 655.16, 655.17, 655.2, 656, D6/656.13, 656.15, 656.16, 656.19, 657, D6/663, 686, 691, 709
 - CPC A47B 81/00; A47B 88/00; A47B 88/41; A47B 88/42; A47B 2210/16; B62B 3/00; B60B 33/00
- See application file for complete search history.

(56) **References Cited**

U.S. PATENT DOCUMENTS

- D334,678 S * 4/1993 Hinden D6/656.13
- D399,077 S * 10/1998 Lepper D6/656.16

(57) **CLAIM**

We claim the ornamental design for a desk, as shown and described.

DESCRIPTION

FIG. 1 is a top right side perspective view of a desk, showing our new design;

FIG. 2 is a bottom right side perspective view thereof;

FIG. 3 is a left side elevation view thereof;

FIG. 4 is a right side elevation view thereof;

FIG. 5 is a front side elevation view thereof;

FIG. 6 is a rear side elevation view thereof;

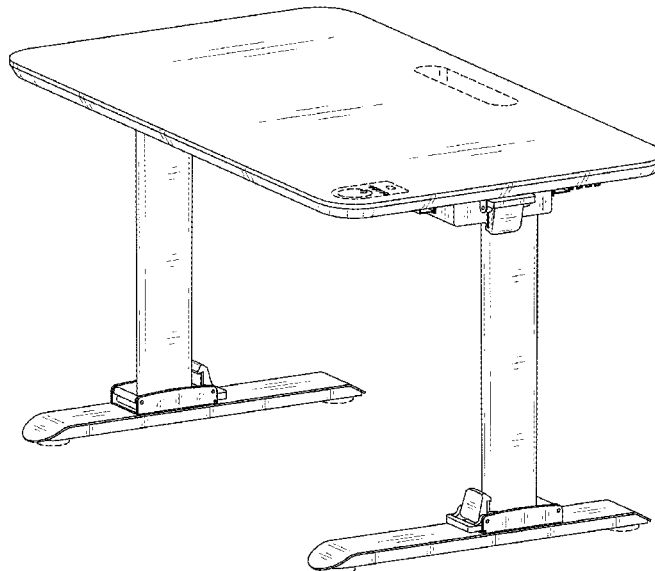
FIG. 7 is a top plan view thereof;

FIG. 8 is a bottom plan view thereof; and,

FIG. 9 is a fragmentary cross-sectional view taken along line 9-9 in FIG. 8.

The broken line portion of the figure drawings is included to show portions of the article that form no part of the claimed design.

1 Claim, 8 Drawing Sheets



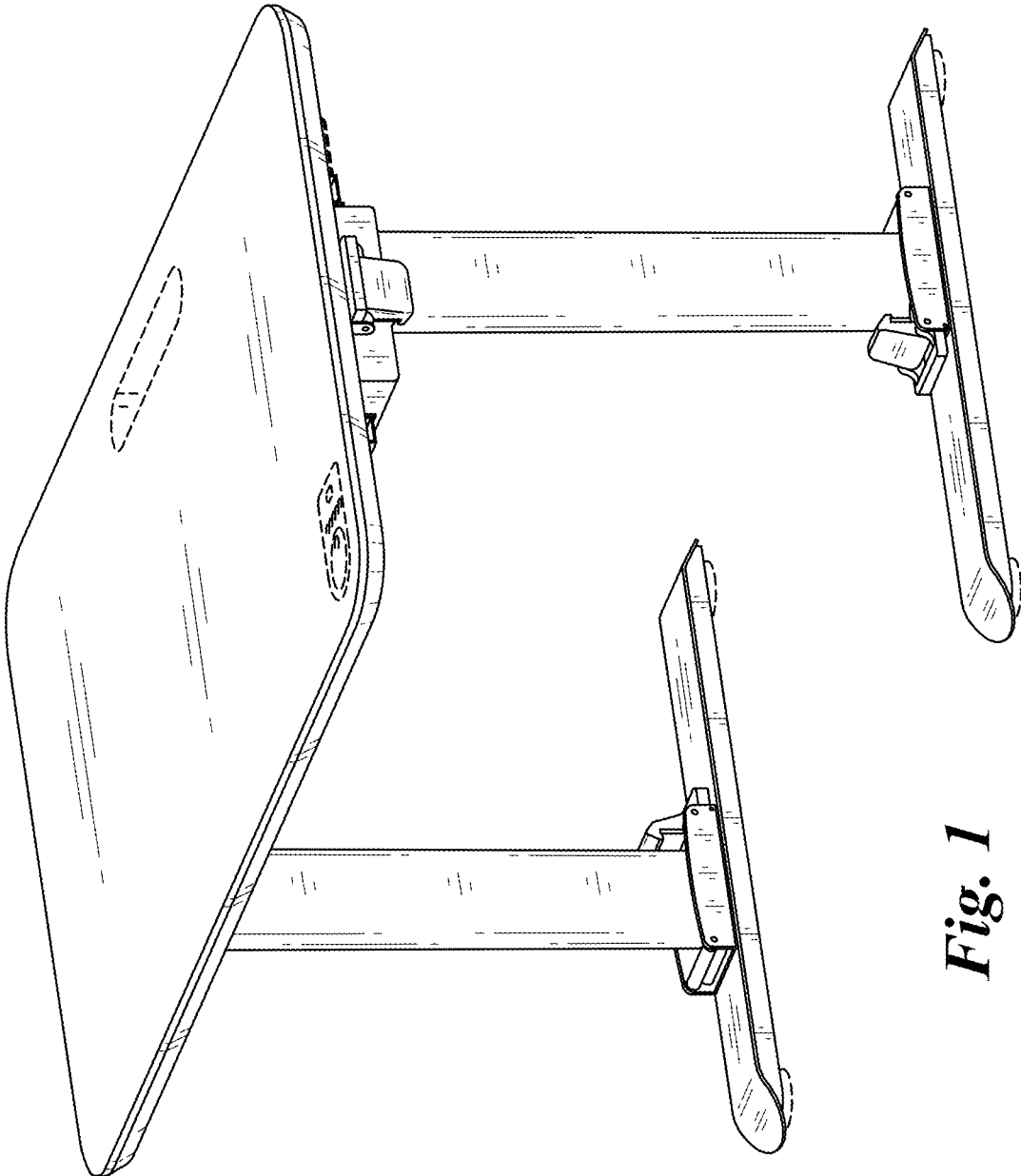


Fig. 1

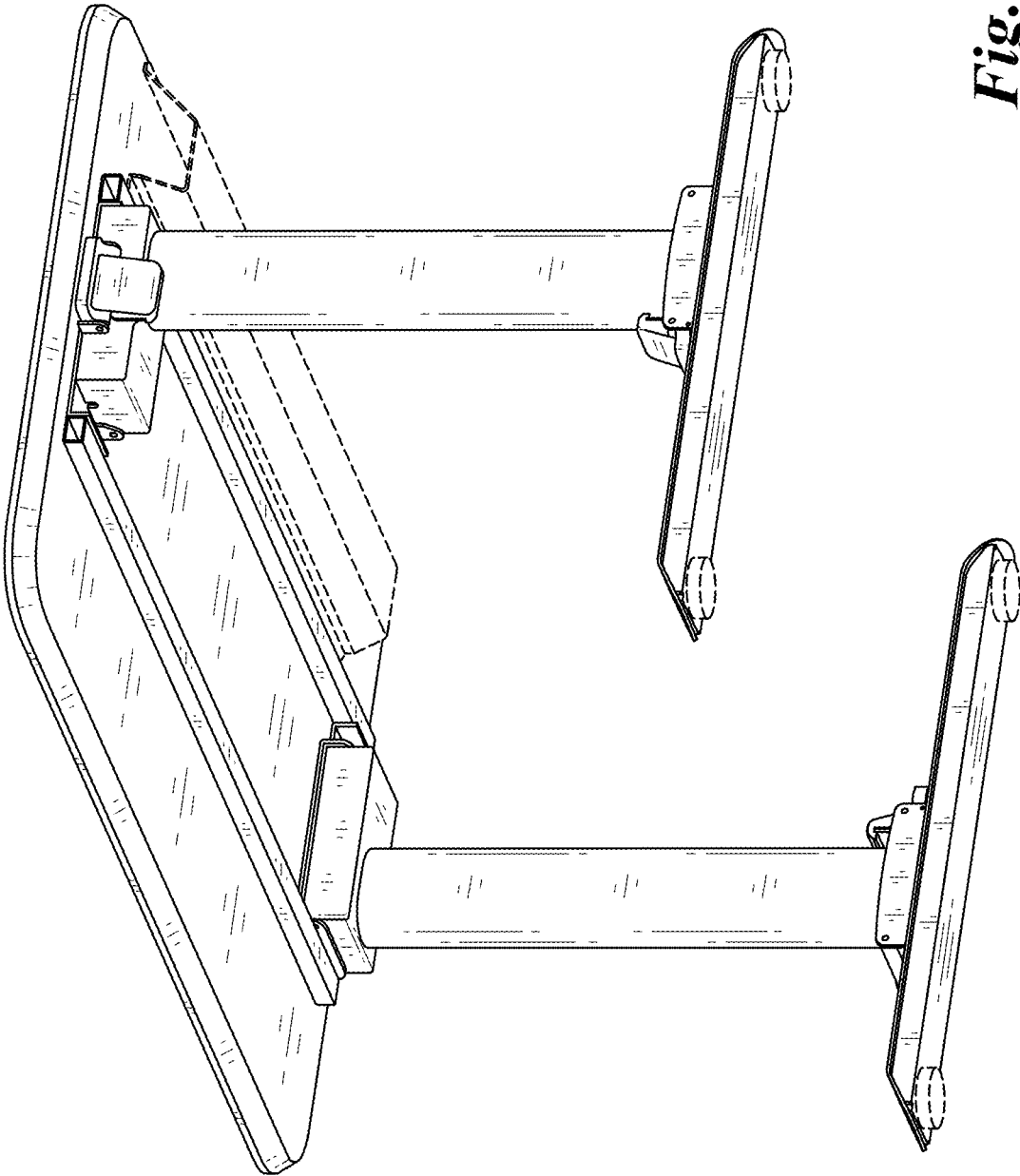


Fig. 2

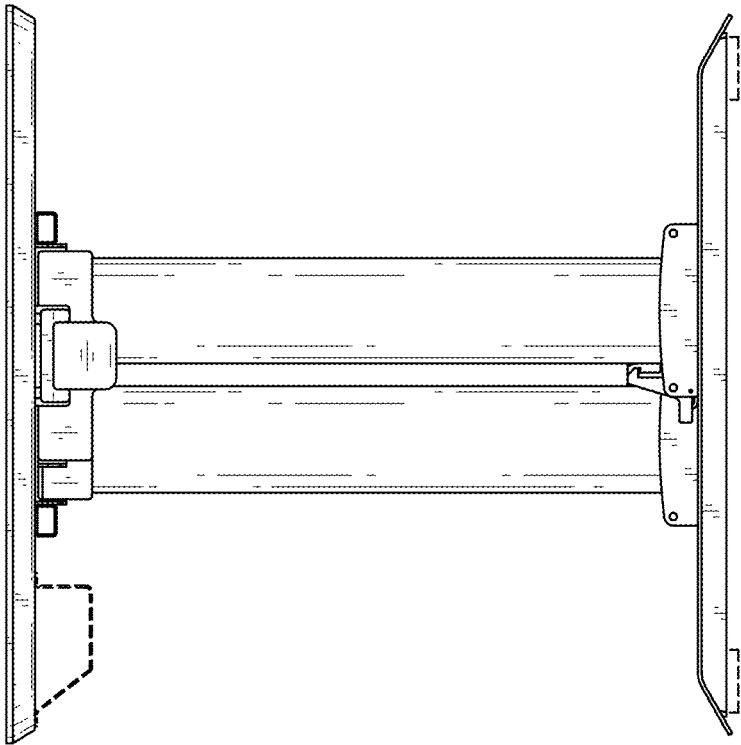


Fig. 3

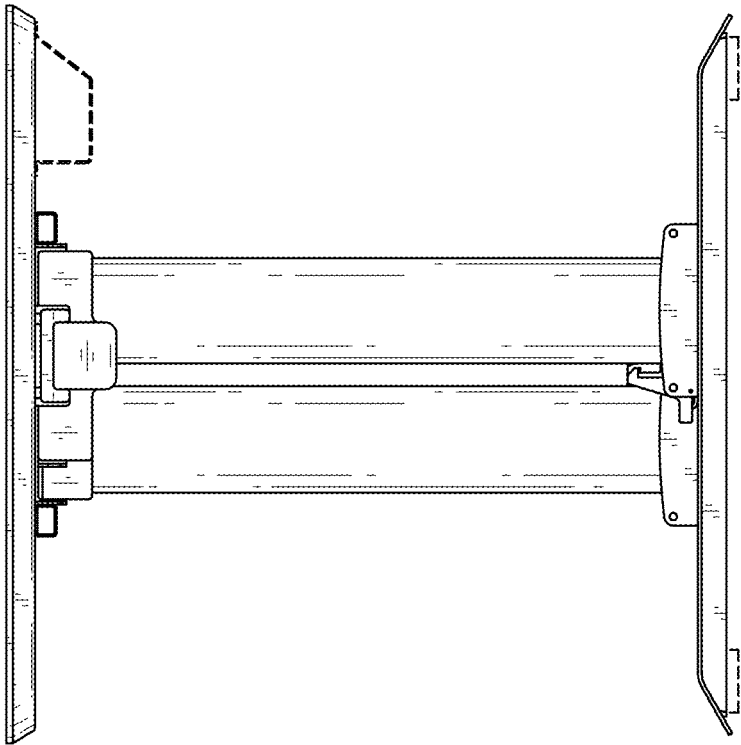


Fig. 4

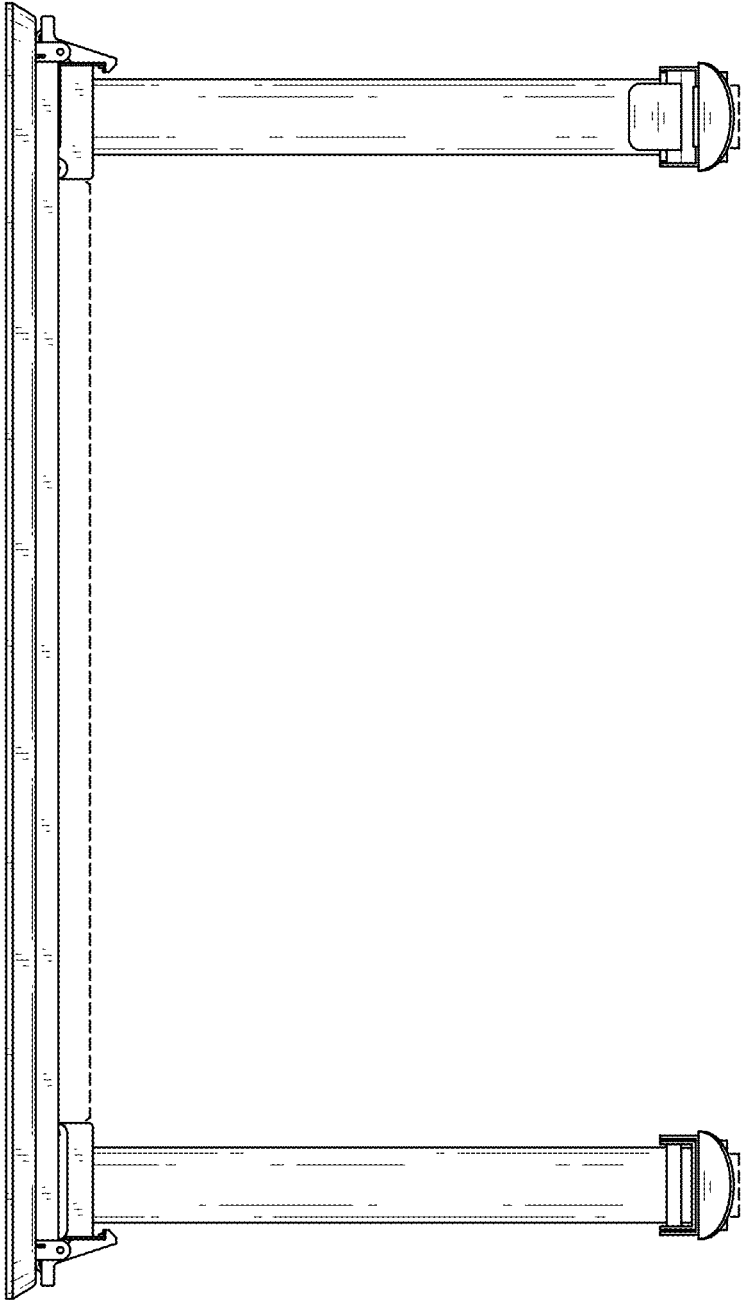


Fig. 5

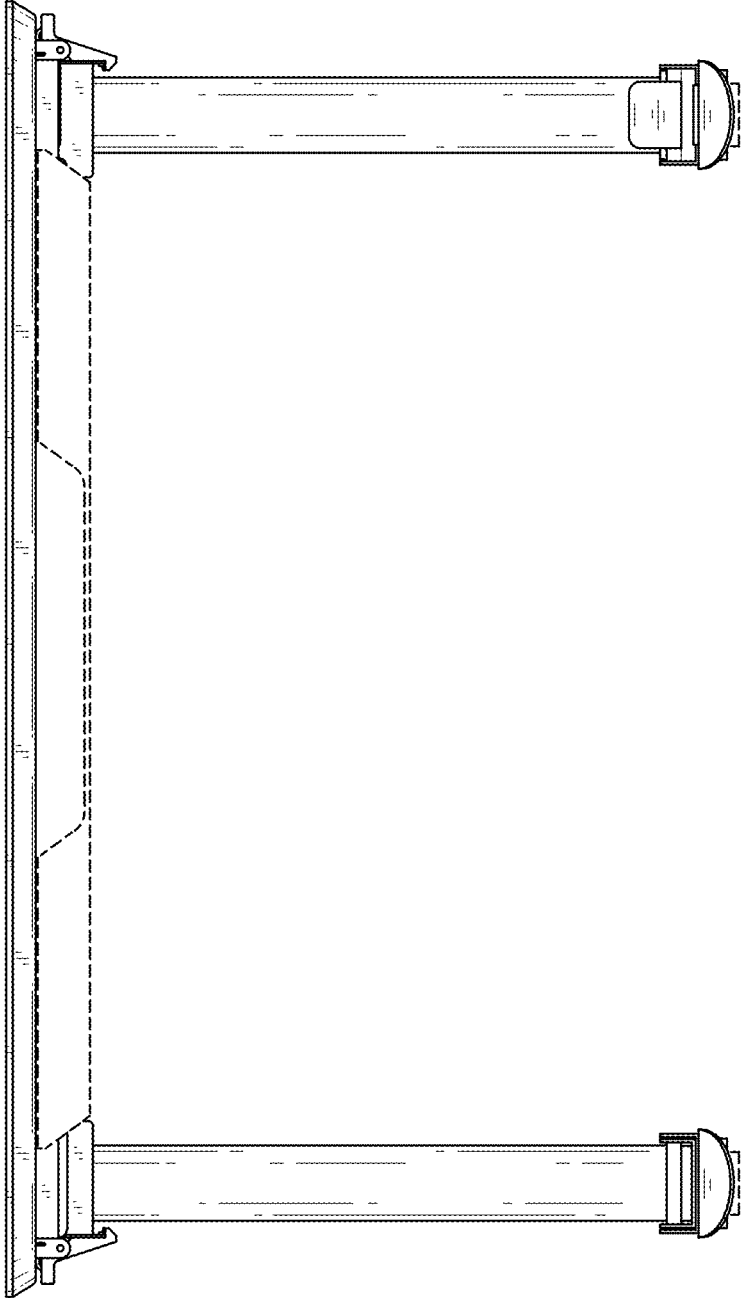


Fig. 6

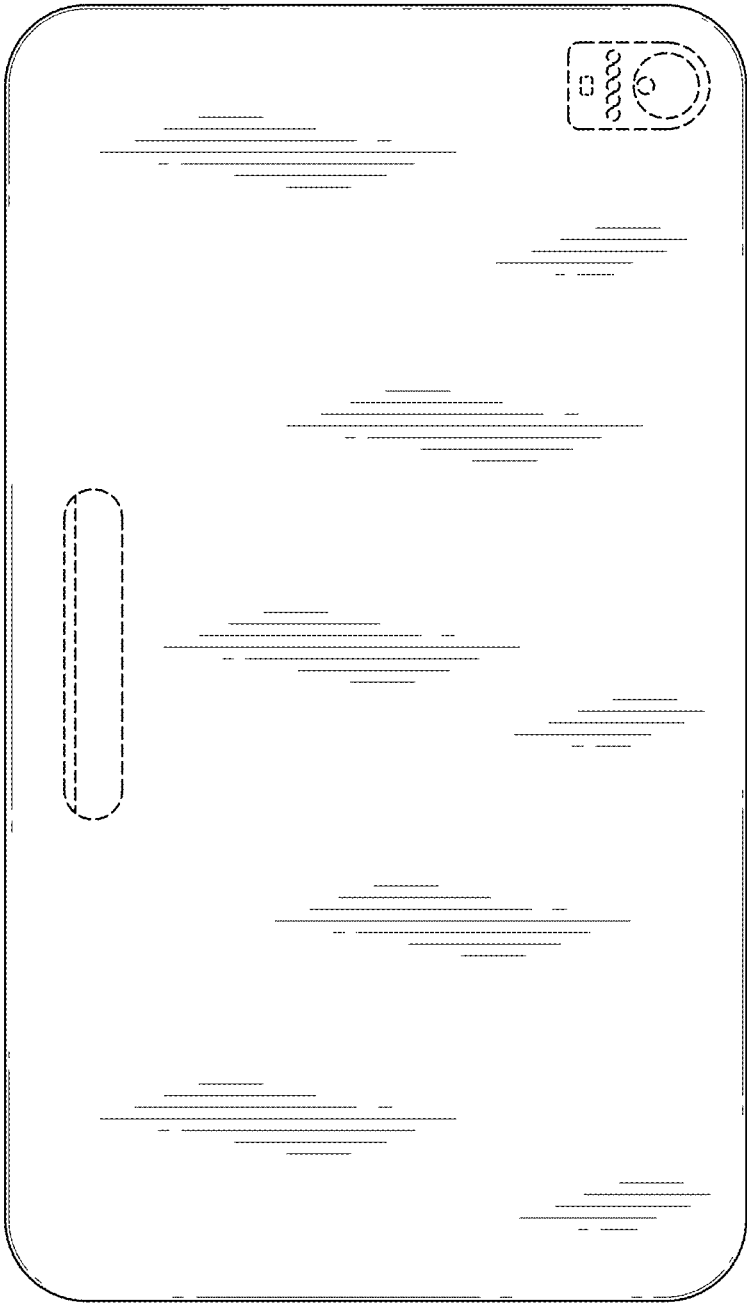


Fig. 7

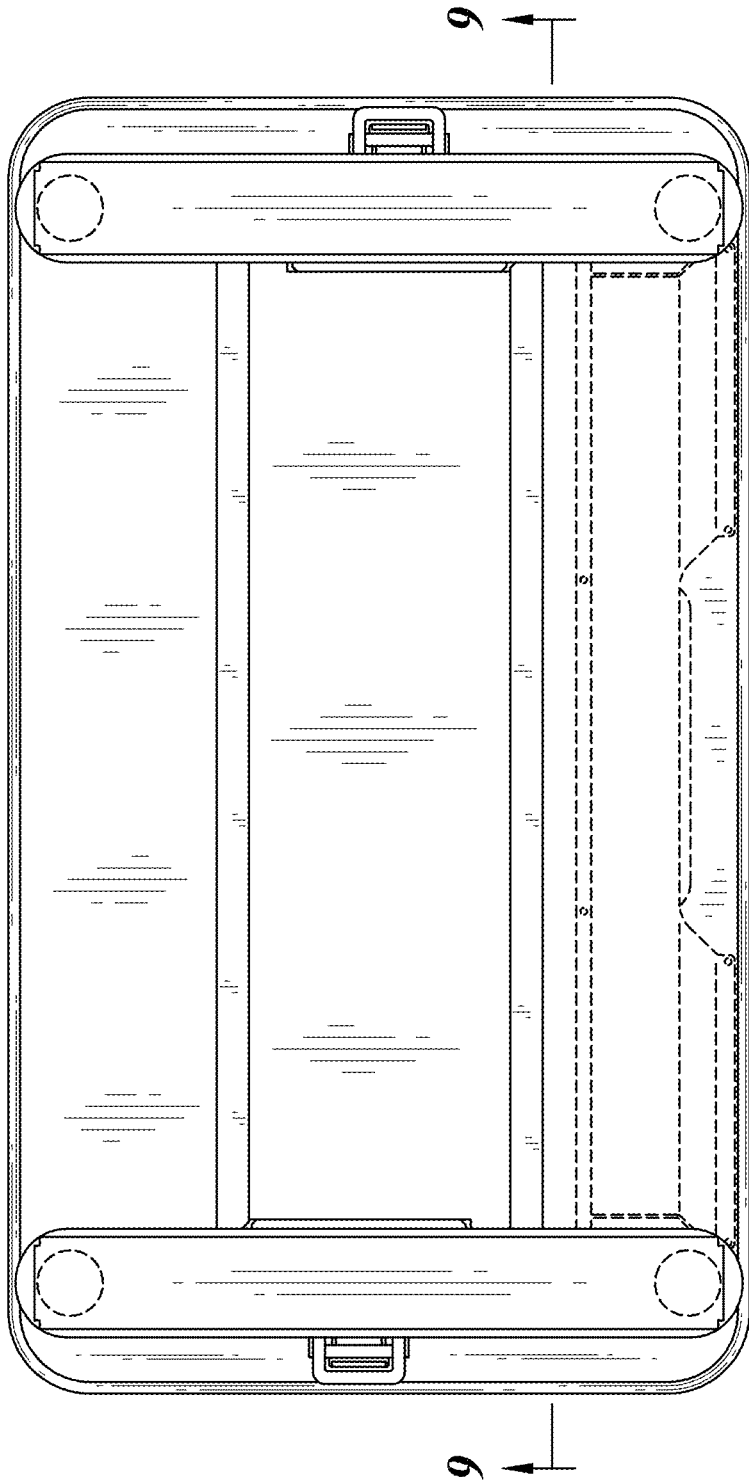


Fig. 8

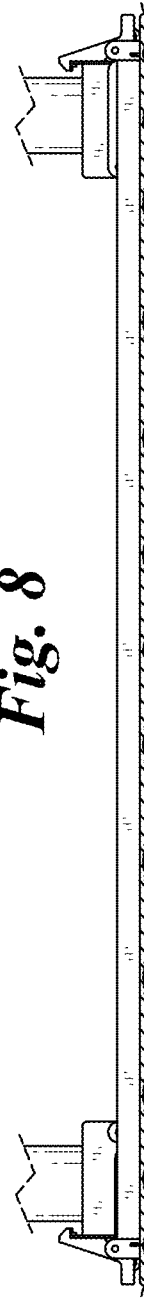


Fig. 9